

SV7 SERIES

2 - 6 PSIG



VACUUM SEAL-OFF VALVES AND VALVE OPERATORS

Features

- Vacuum Tight Seal-Off
- Easy Access to Vacuum
- High Capacity Flow
- Low Profile

Applications

- High Vacuum Tanks
- High Vacuum Dewars
- Low Pressure Gas Systems
- Vacuum Insulated Cryogenic Piping Systems
- Cold Box Vacuum Systems



Technical Data

Operating Ranges

Temperature-20°F to +150°F;
-29°C to +66°C

Relief Pressure2 to 6 PSIG

Materials of Construction

Body300 Series S/S or
6061 Aluminum

Spring300 Series S/S

Retainer300 Series S/S

O-RingViton®

CapPlastic PVC

Poppet300 Series
Stainless Steel

Tests

Seat LeakageMass spec. less
than 1×10^{-9} scc GHe/sec
(Exclusive of O-ring
Permeability) at
Ambient Temp.

Connection

ValveButt Weld

OperatorISO Flange or Tube

Valve Size

1" to 3"

SV7 SERIES

2 to 6 PSIG

How To Order

SV7 - 088 - 1

BASIC MODEL NUMBER

SV7 Series

VALVE SIZE

088 - 1"
816 - 2"
824 - 3"

CONSTRUCTION

1 - 6061 Aluminum
5 - 300 Series Stainless Steel

Valve Operators used in conjunction with valves during pumping operation:

VO7 - 088 T

VALVE OPERATOR

VO7 Series

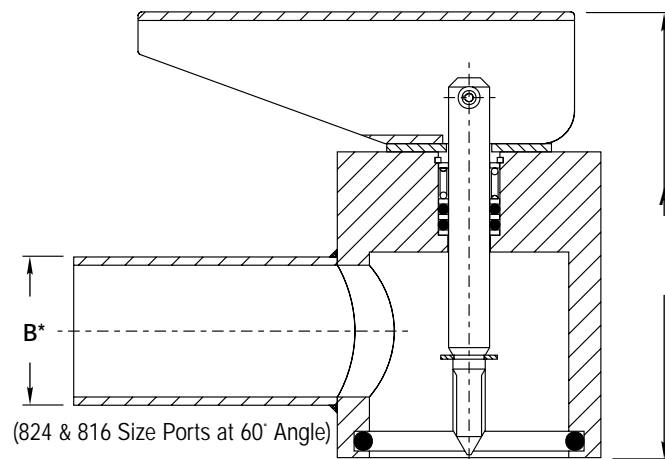
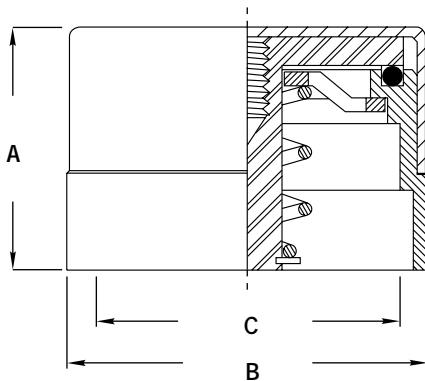
OPERATOR SIZE

088 - 1"
816 - 2"
824 - 3"

*VACUUM PUMP CONNECTION

T - OD Tube
F - ISO Flange
1" - DN25, 2" - DN50,
3" - DN50

Dimensions



SV7 SERIES VALVES DIMENSIONS

Part No.	A	B	C
SV7-088-	1.13	1.63	1.13
SV7-816-	2.25	2.50	1.80
SV7-824-	3.12	3.12	2.75

VO7 SERIES OPERATORS
STAINLESS STEEL DIMENSIONS

Part No.	A	B*
VO7-088-	3.38	1.13
VO7-816-	5.00	2.25
VO7-824-	6.00	3.00

*Optional ISO Flange